

LEA (Lightweight Ecological Absorbent)

ACOUSTIC PANELS



INSTALLATION GUIDE

INDEX

1. IMPORTANT NOTE	3
2. PRECAUTIONS	3
3. INTRODUCTION	4
4. BOX CONTENT	4
5. INSTALLATION	5
5.1. 60x60x2 y 120x60x2 panels (wall and false ceilings installation)	5
5.1.1. False ceiling installation	5
5.1.2. Wall installation – individual panel.....	7
5.1.3. Wall installation – compositions	8
5.2. Ø100x4 panels (ceiling installation).....	11
5.2.1. ceiling bracket installation.....	11
5.2.2. Panel to bracket installation	13
5.2.3. Ceiling-mounted by using METALDISK15 (optional).....	14
6. TECHNICAL CHARACTERISTICS	15
6.1. LEA 602.....	15
6.2. LEA 1202.....	15
6.3. LEA 1004.....	16

1. IMPORTANT NOTE

Congratulations. You now own the result of a well-designed, carefully produced manufacture. We thank you for your trust by having chosen our LEA (Lightweight Ecological Absorbent) Acoustic Panels.

2. PRECAUTIONS

- We highly recommend that, for wall composition installations, the panels used must belong to the same production batch. Each batch will have its own code, in order to avoid slight colour variations that may occur between batches.
- Read these instructions
- Keep these instructions
- Pay attention to all the warnings
- Follow all the instructions
- Install following the manufacturer's instructions
- Only use the accessories specified by the manufacturer.
- In the event of any repair, contact a qualified technical service.
- Before throwing away the box, make sure to save the batch number located next to the product label:



This number will be necessary in the case of any repair and must be provided to the qualified technical service.

3. INTRODUCTION

LEA (Lightweight Ecological Absorbent) is an acoustic panel made of recycled material (PET) with a high absorption performance in medium and high frequencies. Its acoustic properties ensure a significant reduction of the room reverberation time that reflects to a better acoustic comfort. LEA panels can be installed in a false ceiling or attached to the wall with included adhesive stripes. This acoustic panels can be managed easily without tools and cleaned up whenever is needed.

POINTS OF VIEW collection, designed in collaboration with **Luis Eslava**, has been specially created to achieve acoustic comfort, better speech intelligibility, reduced hearing fatigue, acoustic treatment for listening to music, and so on. Its acoustic qualities ensure a high absorption of medium and high frequencies, in addition to a quick installation, either glued to the wall or suspended from the ceiling.

4. BOX CONTENT

LEA 602	LEA 1202	LEA 1004
8 Acoustic Panels		4xAcoustic Panels
16xWooden Strips		4xWhite Wooden Base
16x Adhesive Strips	16x Adhesive Strips	4xScrew M4x25
		16xCables
		16xSafe Terminal

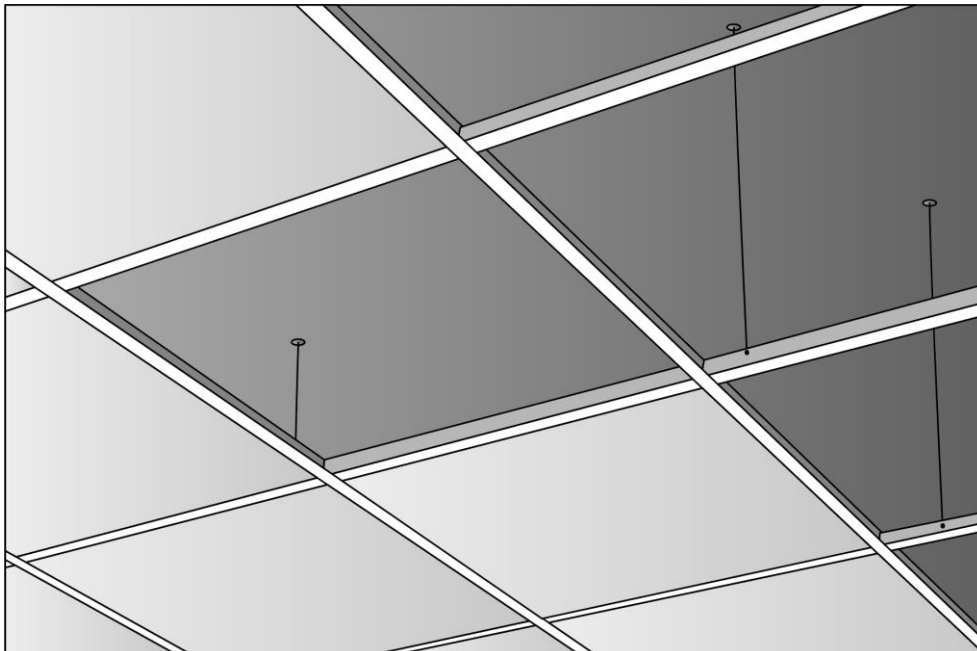
5. INSTALLATION

IMPORTANT NOTE: The LEA 60x60x2 and 120x60x2 cm panels are designed to be installed on false ceilings or walls, LEA Ø100x4 cm panels are designed to be installed directly on the ceiling, always using the included accessories. Follow these instructions to get a satisfactory result. For another installation method not described in the installation guide please contact your supplier, distributor or complete the contact form on our website, in [Support / Technical requests](#).

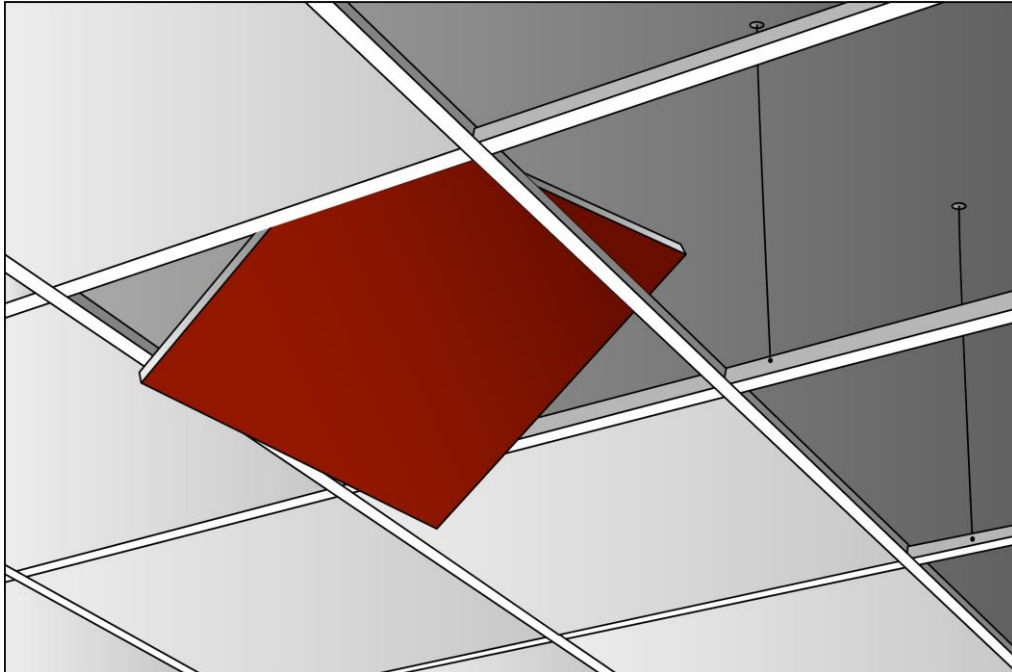
5.1. 60x60x2 y 120x60x2 panels (wall and false ceilings installation)

5.1.1. False ceiling installation

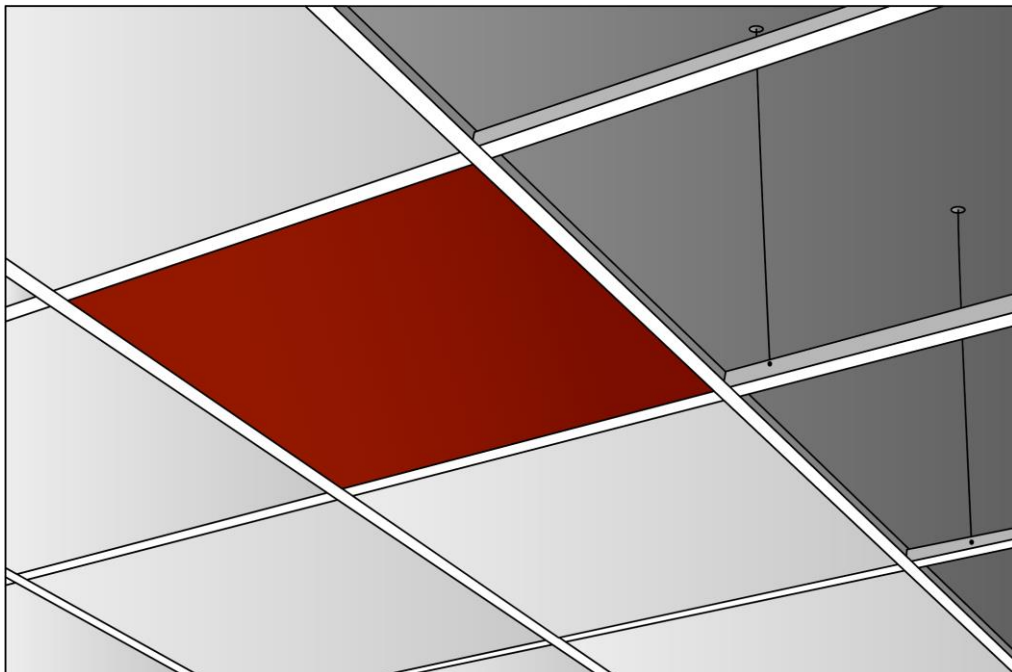
1. Remove the old panels:



2. Place the acoustic panels taking care not to damage the edges with the false ceiling structure:



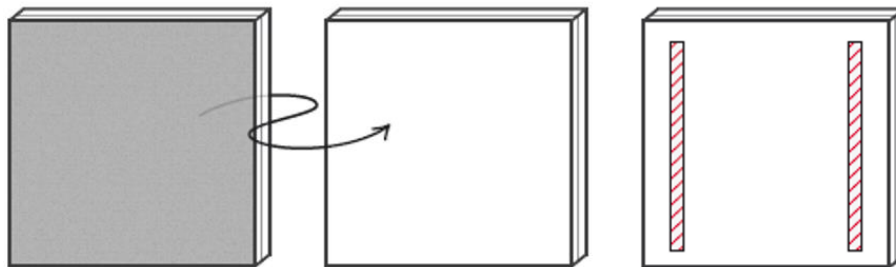
3. Make sure the panels are well placed in the false ceiling structure:



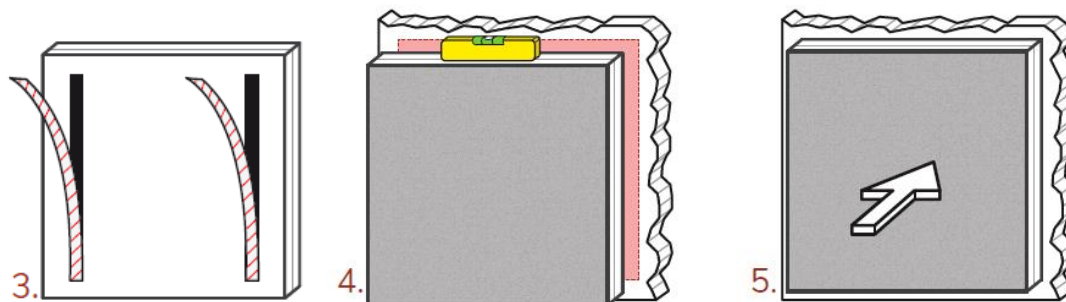
5.1.2. Wall installation – individual panel

We recommend that, before the installation, all the necessary measurements are made to facilitate the placement of the panels.

1. Clean and dry the surface where the panels are going to be placed, removing any dust or artefact in the wall.
2. On the back side of the panel, place 2 of the supplied strips close to the edges, with the side with the protective film facing out, and the side with the micro-hooks inwards. In order to attach the strips to the panel properly, it is recommended to once placed, apply pressure from the centre to their ends.



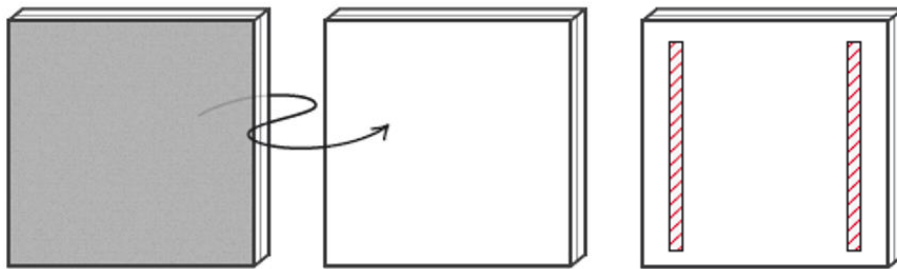
3. Remove the protective film from the strips, exposing the adhesive.
4. Carefully, place the acoustic panel on the wall, in the desired position.
5. Stick the panel to the wall and press it lightly along the surface where the strips were attached; do not apply too much pressure, this could damage the panel.



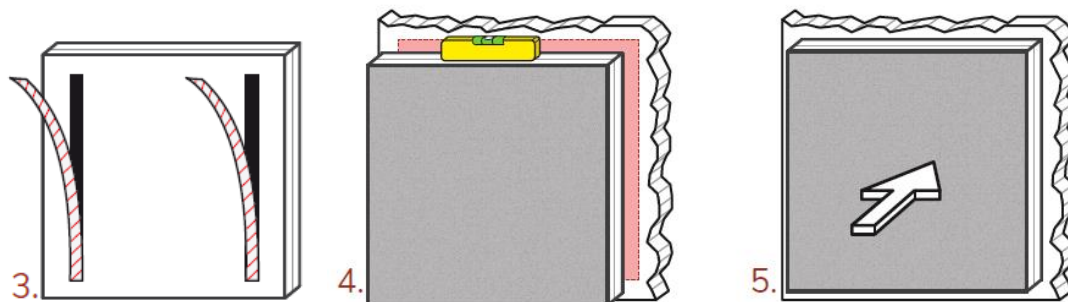
5.1.3. Wall installation – compositions

Before the installation, we highly recommend taking the necessary measurements in order to facilitate the placement of the panels.

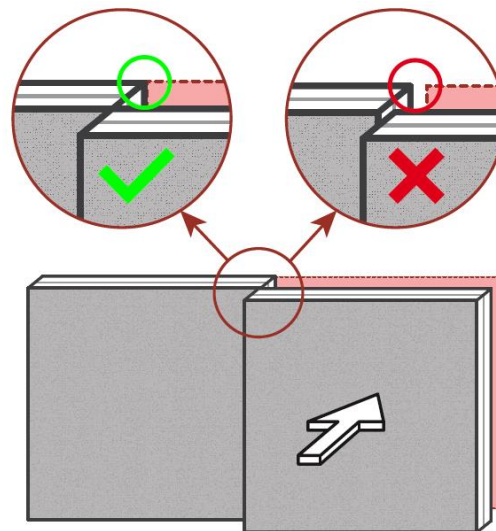
1. Clean and dry the surface where the panels are to be installed, thus removing dust or elements on the wall.
2. On the back side of the panel, place 2 of the supplied strips close to the edges, with the side with the protective film facing out, and the side with the micro-hooks inwards. In order to attach the strips to the panel properly, it is recommended to once the strips are placed, apply pressure from the centre to their ends.



3. Remove the protective film from the strips, exposing the adhesive.
4. Carefully, place the acoustic panel on the wall, in the desired position.
5. Stick the panel to the wall and press it lightly along the surface where the strips were attached; do not apply too much pressure, this could damage the panel.

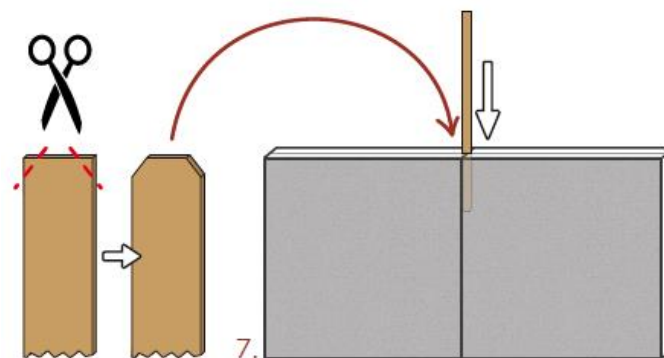


6. Repeat steps 1 to 5 and place the next panel applying light pressure against the adjacent panel, avoiding this way any gaps between them.

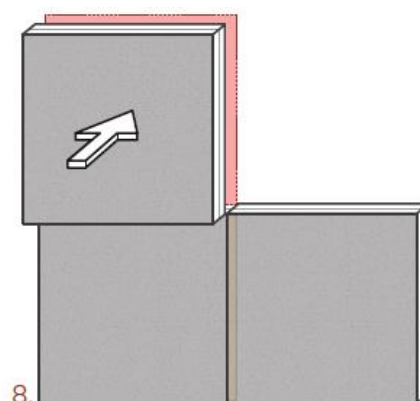


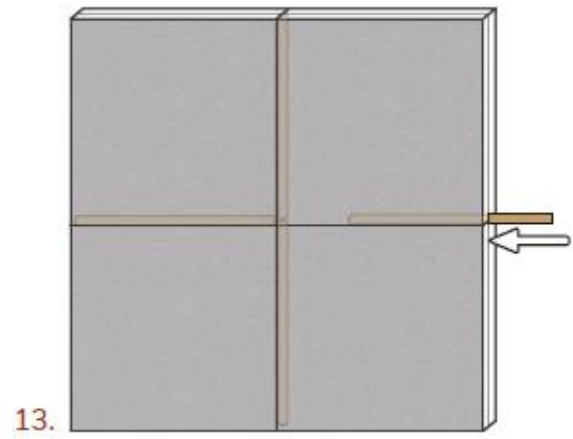
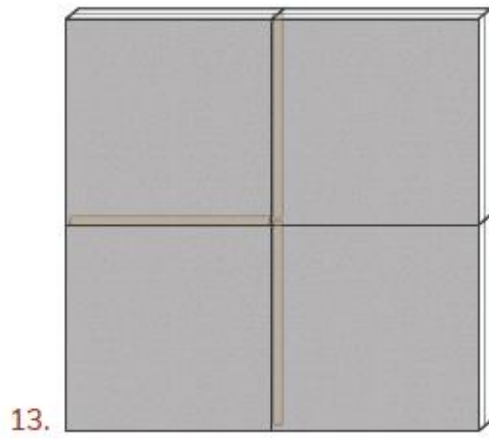
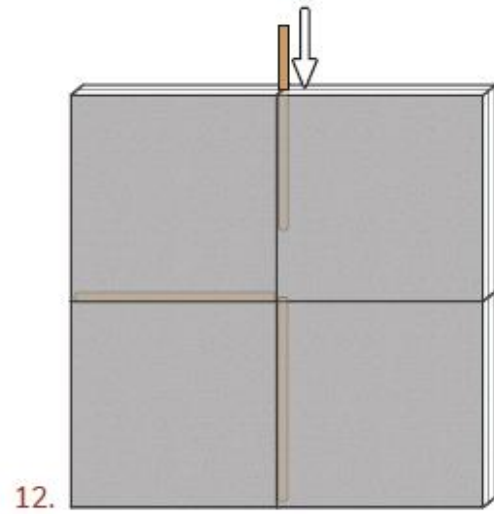
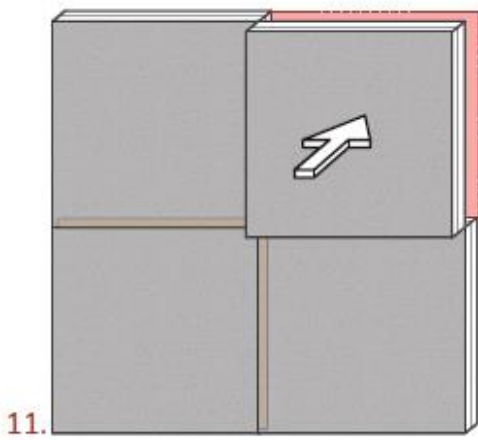
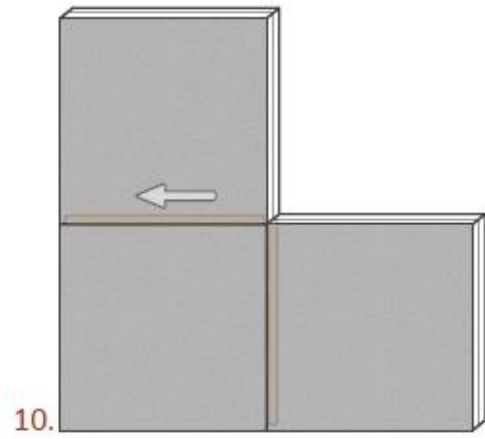
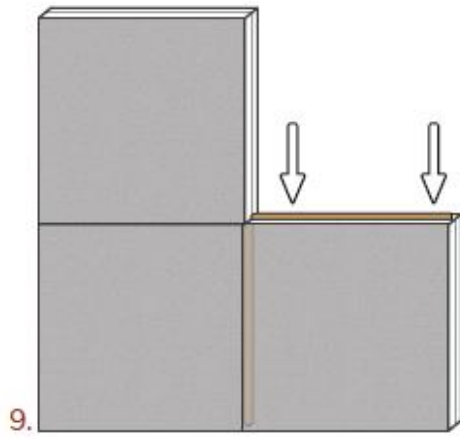
7. If the wall is not completely flat or has some kind of roughness, use the recycled wood slats to join the panels together, this will provide more robustness and uniformity to the whole composition.

It is recommended to cut out the corners of the recycled wooden slats to facilitate their insertion between the panels.



8. Repeat steps 1 to 7 with the rest of the panels until your composition is complete:

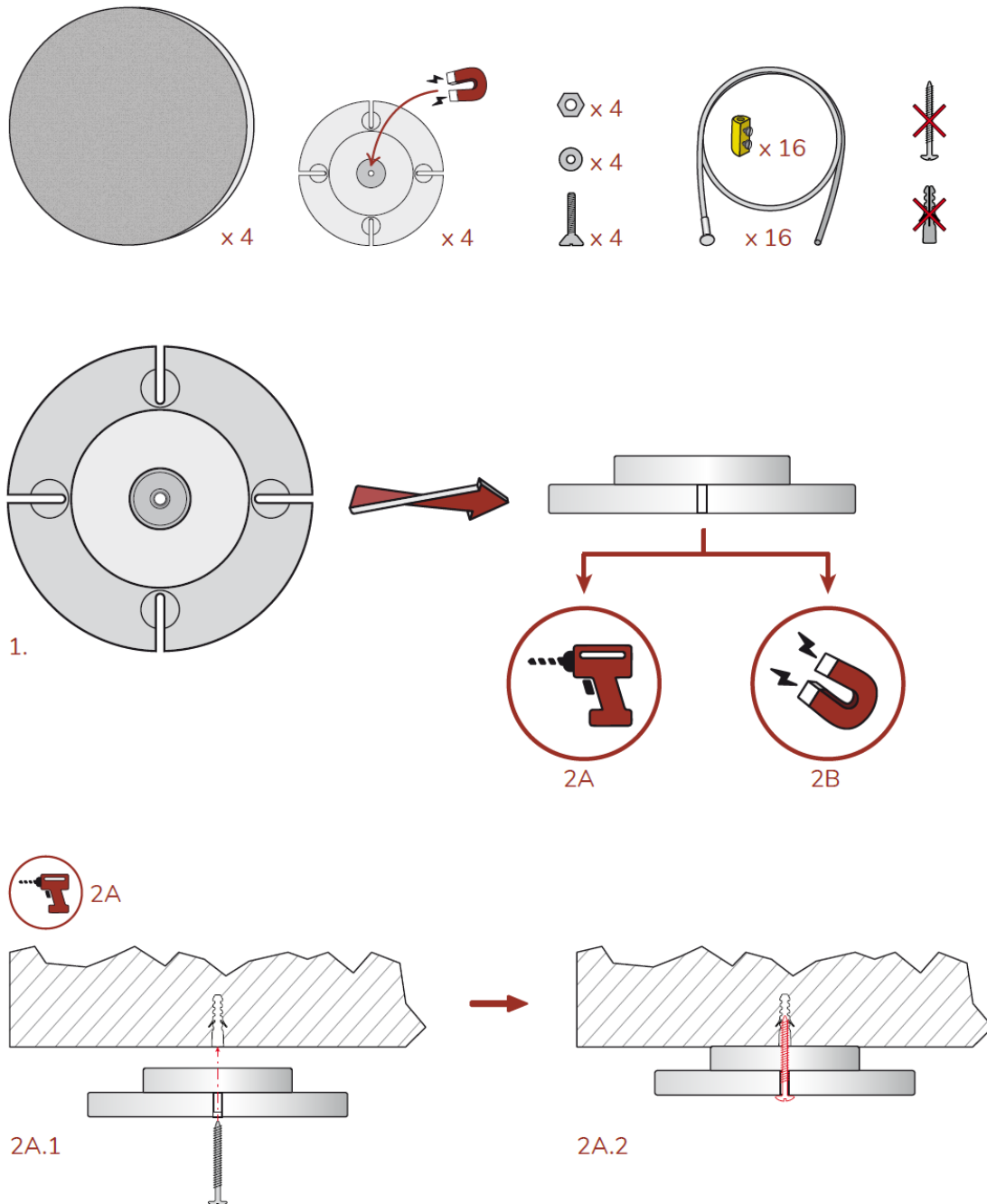




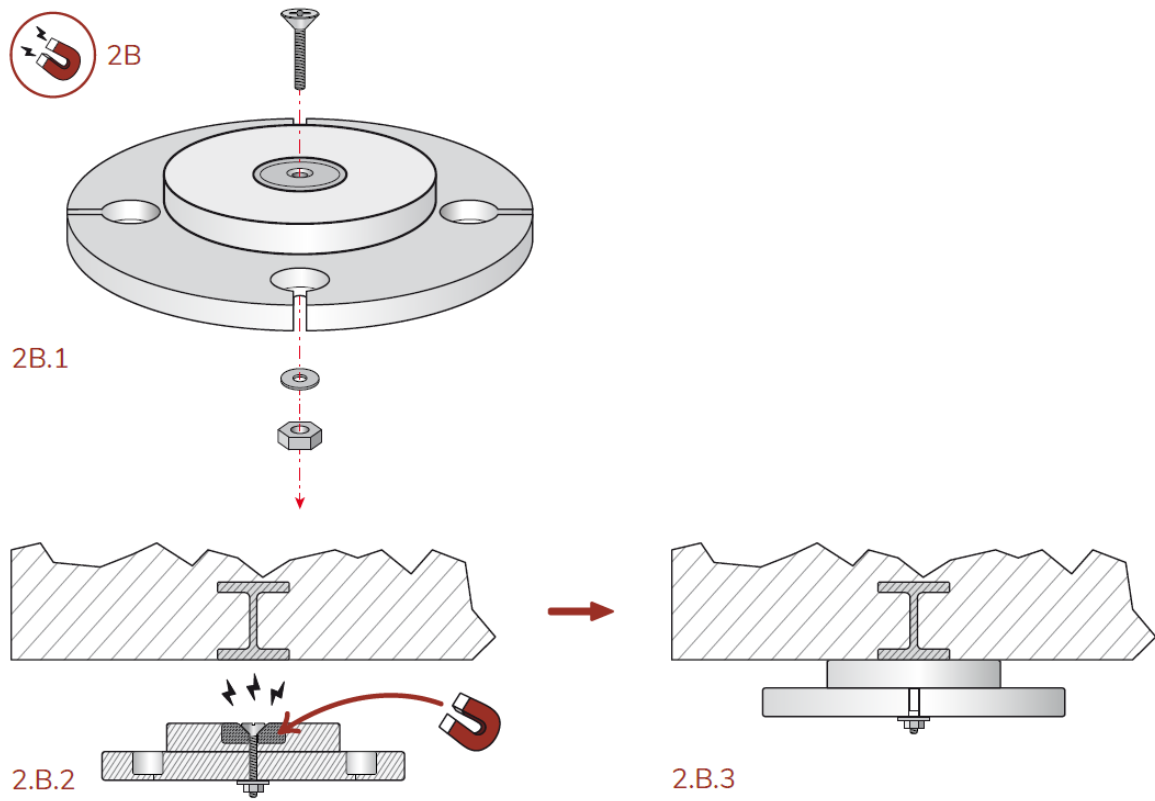
5.2. Ø100x4 panels (ceiling installation)

5.2.1. ceiling bracket installation

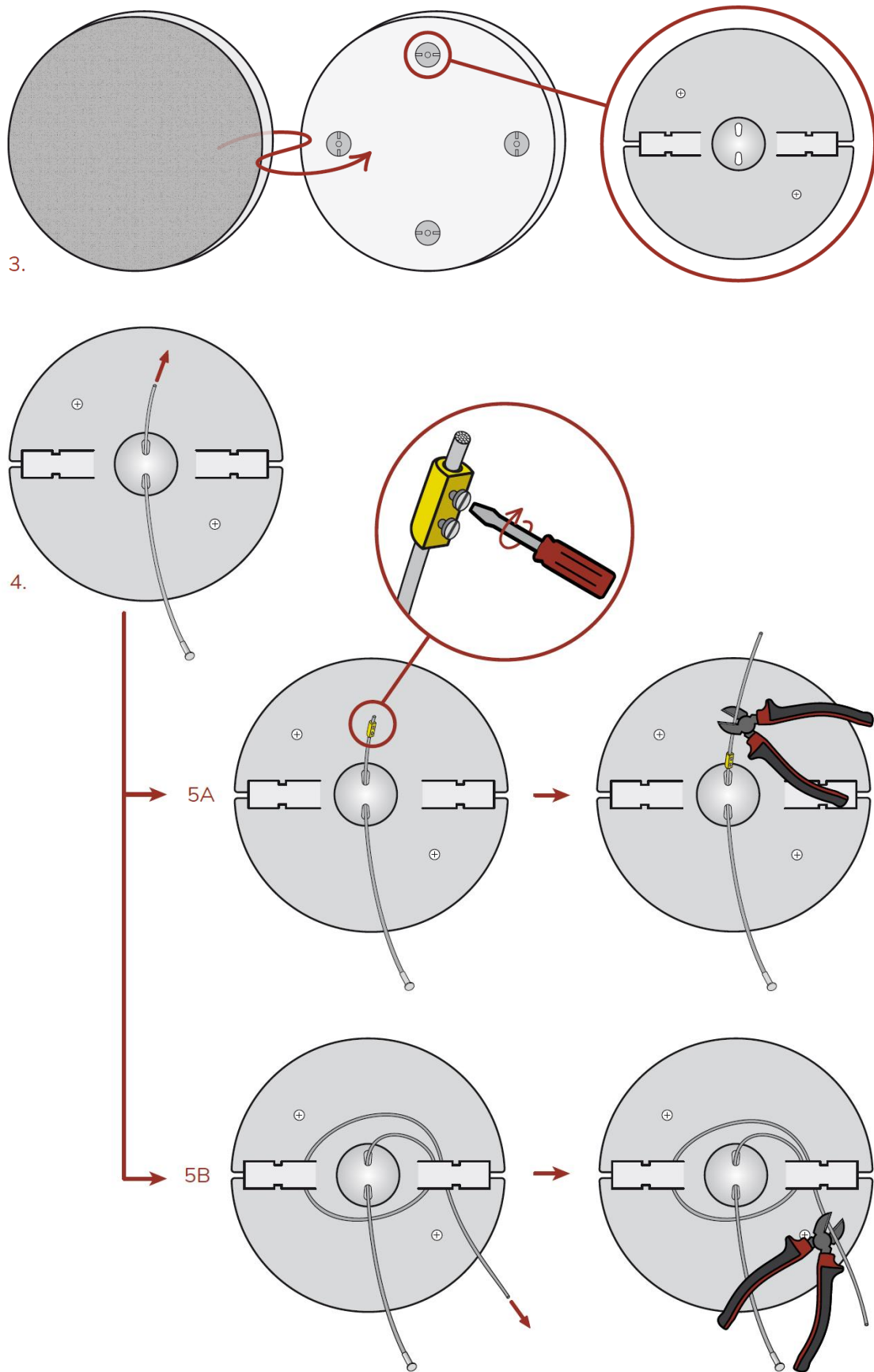
5.2.1.1. Conventional fixing

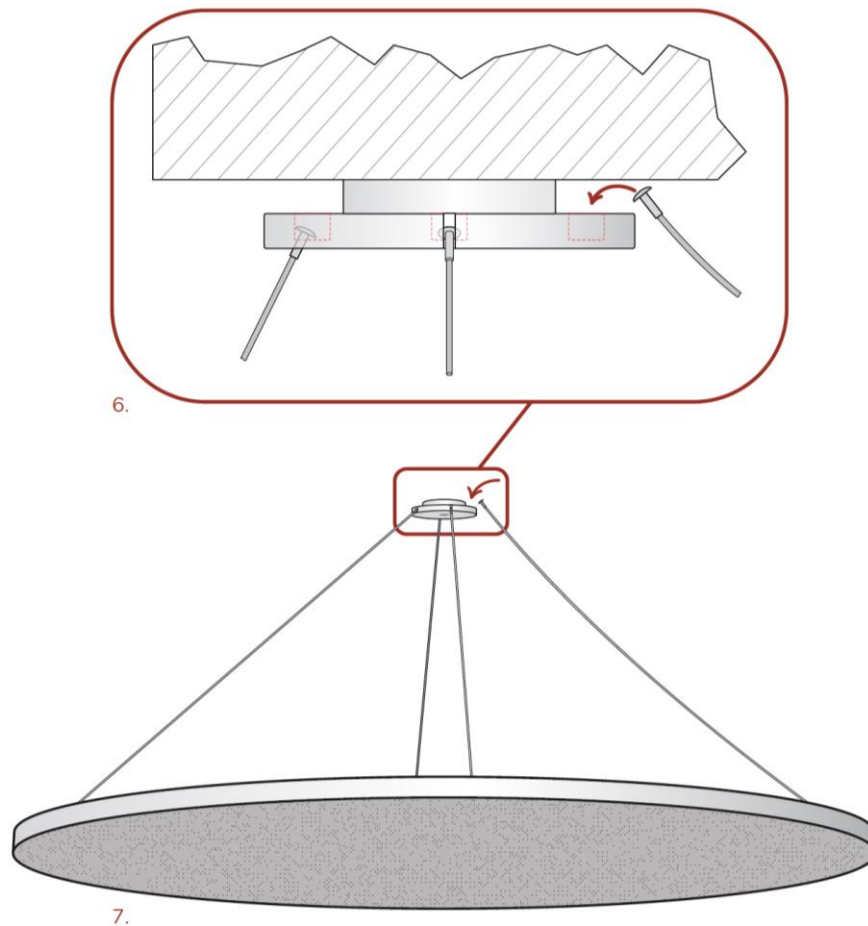


5.2.1.1. Magnetic fixation



5.2.2. Panel to bracket installation





5.2.3. Ceiling-mounted by using METALDISK15 (optional)

For those installations where it is not possible to drill the ceiling or fix the bracket magnetically, the optional accessory METALDISK15 provides a magnetic surface on which to fix the base.

1. Clean and dry the surface where the METALDISK15 is going to be placed, removing any dust or artefact in the ceiling.
2. Attach the optional accessory METALDISK15 to the ceiling by using use the type of adhesive that is most suitable for the surface where it is going to be.



3. Follow the steps in the [Magnetic fixation](#) section onwards

6. TECHNICAL CHARACTERISTICS

6.1. LEA 602

Absorption performance	Medium and high frequencies
NRC	0,55
Material	PET
Fire Class	EU: Euroclass B-s2, d0 USA: Class A (ASTM-E84) CAN: ULCS102, Flame Spread Rating: 5, Smoke Develop: Class115
Emission level of harmful/toxic substances	VOC French A+ Class (ISO16000)
Skin contact harmful levels	Class 1 (STANDARD 100 by OEKO-TEX®)
Product finish	Points of View Collection
Fixing system	Adhesive strips
Units per box	8 units
Dimensions	595 x 595 x 20mm / 23.4" x 23.4" x 0.8"
Density	80 kg/m3
Weight / unit area	1600 g/m2

6.2. LEA 1202

Absorption performance	Medium and high frequencies
NRC	0,55
Material	PET
Fire Class	EU: Euroclass B-s2, d0 USA: Class A (ASTM-E84) CAN: ULCS102, Flame Spread Rating: 5, Smoke Develop: Class115
Emission level of harmful/toxic substances	VOC French A+ Class (ISO16000)
Skin contact harmful levels	Class 1 (STANDARD 100 by OEKO-TEX®)
Product finish	Points of View Collection
Fixing system	Adhesive strips
Units per box	8 units
Dimensions	1190 x 595 x 20mm / 46.8" x 23.4" x 0.8"
Density	80 kg/m3
Weight / unit area	1600 g/m2

6.3. LEA 1004

Absorption performance	Medium and high frequencies
NRC	0,61
Material	PET
Fire Class	EU: Euroclass B-s2, d0 USA: Class A (ASTM-E84) CAN: ULCS102, Flame Spread Rating: 5, Smoke Develop: Class115
Emission level of harmful/toxic substances	VOC French A+ Class (ISO16000)
Skin contact harmful levels	Class 1 (STANDARD 100 by OEKO-TEX®)
Product finish	Points of View Collection
Fixing system	Suspended fixation
Cable length	1,2m
Recommended suspended distance	30cm-1m from ceiling
Units per box	4 units
Dimensions	950 x 40mm / 37.4" x 1.6"
Density	80 kg/m ³
Weight / unit area	3200 g/m ²



All product characteristics are subject to variation due to production tolerances. **NEEC AUDIO BARCELONA S.L.** reserves the right to make changes or improvements in the design or manufacturing that may affect these product specifications.

For technical queries contact your supplier, distributor or complete the contact form on our website, in [Support / Technical requests](#).

Motors, 166-168 08038 Barcelona - Spain - (+34) 932238403 | information@ecler.com | www.ecler.com